



DECORATOR DEVICES

ENERLITES offer a broad line of residential, commercial and industrial grade decorator devices.

Features and Benefits:

- Excellent performance
- Impact resistant thermoplastic construction assures long life durability
- All Decorator Devices are UL listed



DECORATOR DEVICES

Residential Grade Switches	E3-E4
Commercial Grade Switches	E5
Residential Grade Receptacles	E7
Industrial Grade Receptacles	E8



E-1



Decorator Switches

E

Break-off plaster ears

Slotted, Phillips, and Robertson Tri-combo screw heads offer greater installation flexibility

#14 push-in terminals facilitate installation

Thermoplastic paddle assures smooth, quiet long-term operation

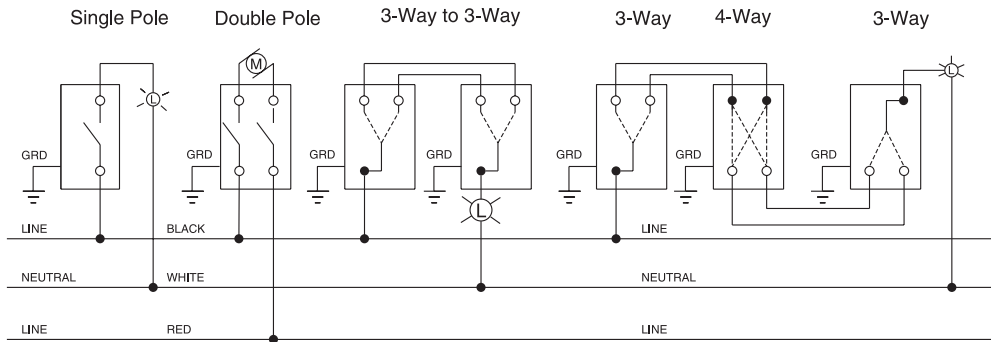
Side wiring holes accept #12 or #14 AWG solid or stranded wire

Longer and wider strap for easier mounting

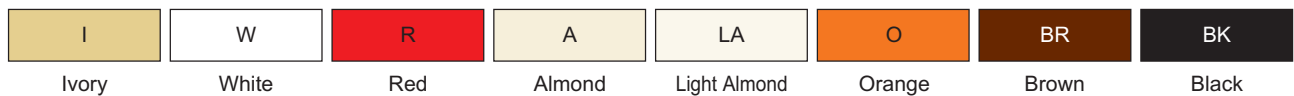


93150-W

Wiring Diagram: Single Pole, Double Pole, 3-Way, 4-Way



AVAILABLE COLORS



CALL FOR COLOR AVAILABILITY



Residential Grade

Features:

- Made of GE LEXAN 241
- Smooth, quiet paddle action
- Narrow body leaves more room for wires in the box
- High-impact resistant thermoplastic construction
- Washer-type break-off plaster ears for best flush alignment
- Captive mounting screws
- Push in terminals for quick installation
- Easy-access green hex head ground screw
- Various kinds of colors available

- Two year warranty

Material Characteristics:

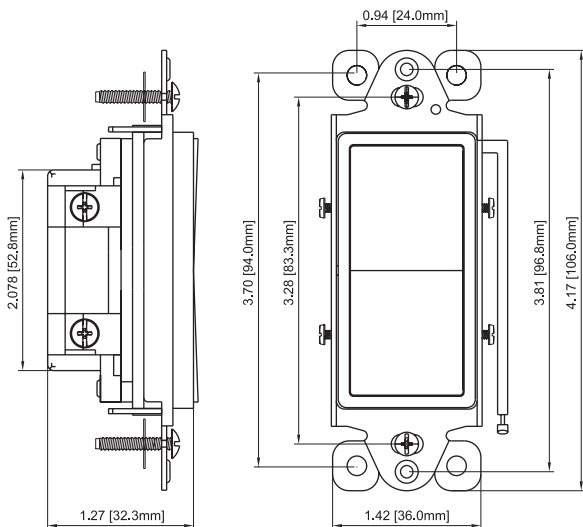
- Environmental: Flammability UL94, V2 Rating
- Operating Temperatures: From -40°C (without impact) to 75°C maximum continuous

Testing & code compliance

- UL Listed
- ISO9001 Registered manufacturing facility

AC Quiet Decorator Switches, 15AMP Push-In and Side Wired 120-277 V AC

DESCRIPTION	CAT.NO.	COLOR
Single-Pole	91150-I	Ivory
	91150-W	White
	91150-A	Almond
	91150-LA	Light Almond
	91150-BR	Brown
	91150-BK	Black
Three-Way	93150-I	Ivory
	93150-W	White
	93150-A	Almond
	93150-LA	Light Almond
	93150-BR	Brown
	93150-BK	Black
Four-Way	94150-I	Ivory
	94150-W	White
	94150-A	Almond
	94150-BR	Brown





Residential Grade

Features:

- 15A, 120V and 277V single-pole and three-way versions, 60Hz AC Only
- Illuminated Switch rocker illuminates when load is off
- Side-wiring terminals accept #12 or #14 AWG Cu solid or stranded wire to ease installation
- Two year warranty

Material Characteristics:

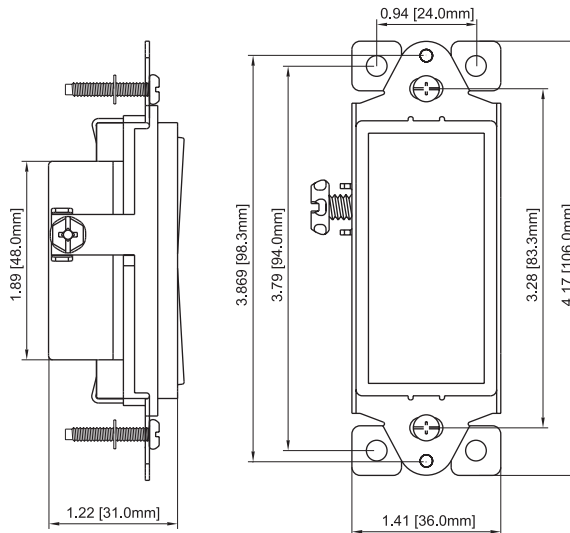
- Environmental: Flammability UL94, V2 Rating
- Operating Temperatures: From -40°C (without impact) to 75°C maximum continuous

Testing & code compliance

- UL Listed
- ISO9001 Registered manufacturing facility

15AMP Push-In and Side Wired Lighted, (Light ON when OFF) 120-277 V AC

DESCRIPTION	CAT.NO.	COLOR
Single-Pole	91160-I	Ivory
	91160-W	White
	91160-A	Almond
Three-Way	93160-I	Ivory
	93160-W	White
	93160-A	Almond





Commercial Grade

Features:

- Heavy-duty impact-resistant thermoplastic construction for long service life in commercial applications
- Back and side-wiring terminals accept both solid and stranded wire to ease installation
- New architecturally-styled smooth-action concave rocker
- Two ground connection options: a green grounding screw and self-grounding clip
- Two year warranty

Material Characteristics:

- Environmental: Flammability UL94, V2 Rating
- Operating Temperatures: From -40°C (without impact) to 75°C maximum continuous

Testing & code compliance

- UL Listed
- ISO9001 Registered manufacturing facility

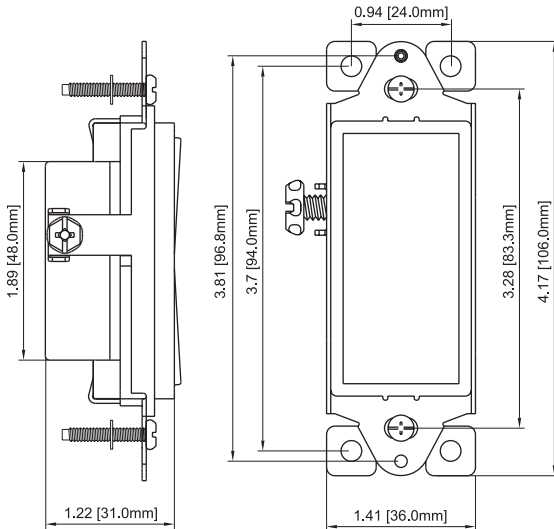
20AMP Back and Side Wired 120-277V AC

DESCRIPTION	CAT.NO.	COLOR
Single-Pole	91200-I	Ivory
	91200-W	White
	91200-A	Almond
	91200-BR	Brown

15AMP Push-In and Side Wired Momentary Contact 120-277V AC

DESCRIPTION	CAT.NO.	COLOR
Single Pole, Decorator	91245-I	Ivory
Momentary Contact Switch	91245-W	White

Structure of 91245:





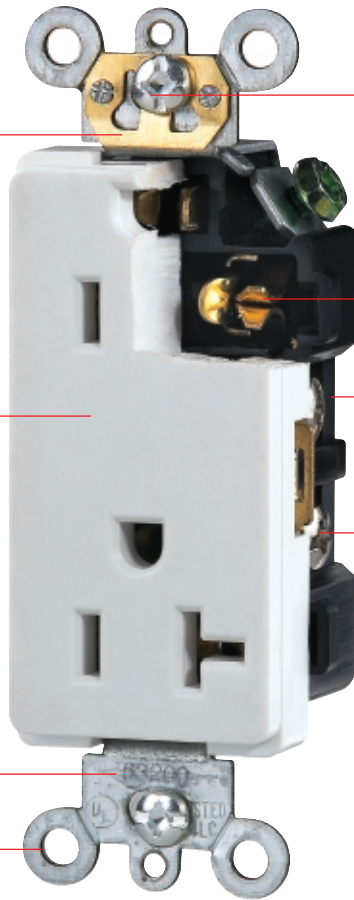
Decorator Receptacles

Dual-grounding options:
grounding terminal or
self-grounding clip

High-impact thermoplastic
face and back body eliminates
cracks, breaks and callbacks

Longest, broadest mounting
strap for the best possible
reach to wall or panel surface

Break-off plaster ears



63200-W

Slotted, Phillips, and Robertson
Tri-combo screw heads offer
greater installation flexibility.

Triple-wipe brass contacts for
long service life

Back wire terminals accept #12
or #14 solid or stranded copper
or copper clad wire

Side wiring holes accept #12 or
#14 copper or copper clad wire

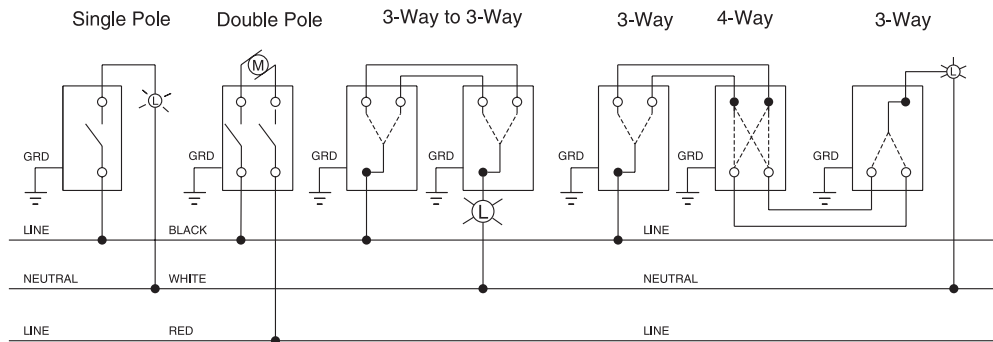


How to Connect Wires to
Screw Terminals



How to Connect Wires
with Back Fitting

Wiring Diagram: Single Pole, Double Pole, 3-Way, 4-Way



AVAILABLE COLORS

I	W	G	R	A	LA	O	BR	BK
Ivory	White	Gray	Red	Almond	Light Almond	Orange	Brown	Black

CALL FOR COLOR AVAILABILITY



Residential Grade

Features:

- Made of GE LEXAN 241
- Push in #14 AWG Cu solid wire for 15A branch circuit only
- Shallow design for maximum wiring room
- Easy-access green hex head ground screw
- Captive mounting screws
- Washer-type break-off plaster ear for best flush alignment
- Large head combination screws for fast wiring
- Various kinds of colors available

- Two year warranty

Material Characteristics:

- Environmental: Flammability UL94, V2 Rating
- Operating Temperatures: From -40°C (without impact) to 75°C maximum continuous

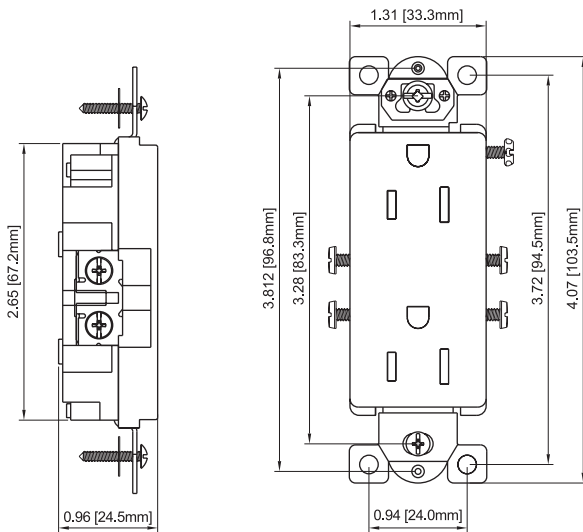
Testing & code compliance

- UL Listed
- ISO9001 Registered manufacturing facility

Push-In and Side Wired, Decorator Devices, 2 Pole, 3 Wire Grounding, 15A 125V

DESCRIPTION	CAT.NO.	COLOR
Duplex Receptacle Self-Grounding 15A/125V, 5-15R	61501-I	Ivory
	61501-W	White
	61501-A	Almond
	61501-LA	Light Almond
	61501-BR	Brown
	61501-BK	Black
Duplex Receptacle Self-Grounding 20A/125V, 5-20R	62001-I	Ivory
	62001-W	White
	62001-A	Almond
	62001-LA	Light Almond
	62001-BR	Brown
	62001-BK	Black

NEW





Industrial Grade

Features:

- Self-Grounding clip
- Unique screw terminal guards provide fast, easy insulation from conductive surfaces
- High impact face
- Hospital Grade Isolated Ground receptacles (identified by an orange face or triangle on the face) protect sensitive electronic equipment and eliminate electromagnetic interference by providing a separate path to ground

- Two year warranty

Material Characteristics:

- Environmental: Flammability UL94, V2 Rating
- Operating Temperatures: From -40°C (without impact) to 75°C maximum continuous

Testing & code compliance

- UL Listed
- ISO9001 Registered manufacturing facility



63150-W in SI8831-W



62000-IG-O in 8831-O

Back and Side Wired, Decorator Devices, 2 Pole, 3 Wire Grounding

DESCRIPTION	CAT. NO.	COLOR
Duplex Receptacle 15A/125V, 5-15R	63150-I	Ivory
	63150-W	White
	63150-BR	Brown
Duplex Receptacle 15A/250V, 6-15R	63151-I	Ivory
	63151-W	White
Duplex Receptacle 20A/125V, 5-20R	63200-I	Ivory
	63200-W	White
	63200-BR	Brown
Duplex Receptacle 20A/250V, 6-20R	63201-I	Ivory
	63201-W	White

Isolated Ground Receptacle, Back and Side Wired

DESCRIPTION	CAT. NO.	COLOR
Duplex Receptacle 15A/125V, 5-15R	61500-IG-I	Ivory
	61500-IG-W	White
	61500-IG-O	Orange
Duplex Receptacle 15A/250V, 6-15R	61550-IG-I	Ivory
	61550-IG-W	White
Duplex Receptacle 20A/125V, 5-20R	62000-IG-I	Ivory
	62000-IG-W	White
	62000-IG-O	Orange
Duplex Receptacle 20A/250V, 6-20R	62050-IG-I	Ivory
	62050-IG-W	White
	62050-IG-O	Orange

