



STRAIGHT BLADE RECEPTACLES

ENERLITES INC. offers a full line of 15A, 20A, 30A and 50 Amp Receptacles available in Residential Grade, Commercial Grade, Industrial Grade and Hospital Grade.

ENERLITES Receptacles are precision-manufactured using the finest materials and designed with special features to give them an attractive appearance and make them easy to install. Whatever your application, you will find ENERLITES Wiring Devices Receptacle on the following pages that meets the rating, style and features you need.

Features and Benefits:

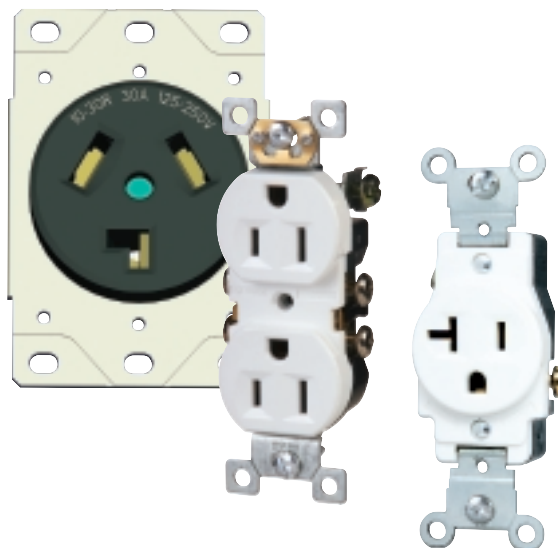
- Excellent Performance
- A wide variety of colors
- Different wiring options
- All straight Blade Receptacles are UL Listed



F

STRAIGHT BLADE RECEPTACLES

Residential Grade	F3
Commercial Grade	F4-F5
Industrial Grade	F6-F9





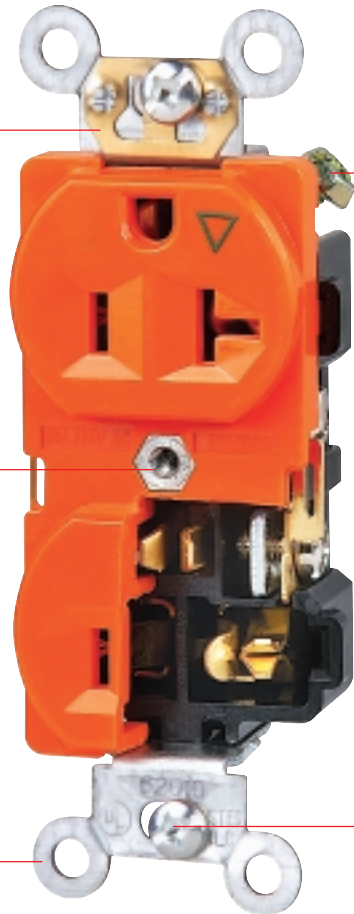
Straight Blade Receptacles

F

Automatic grounding clip provides safe ground continuity between strap and metal enclosure - eliminates having to wire a bonding jumper enclosures

The nut captures wall plate screw eliminating hand threading of screw lost screws and cross-threading

Thick 1.2mm plated steel strap withstands abuse



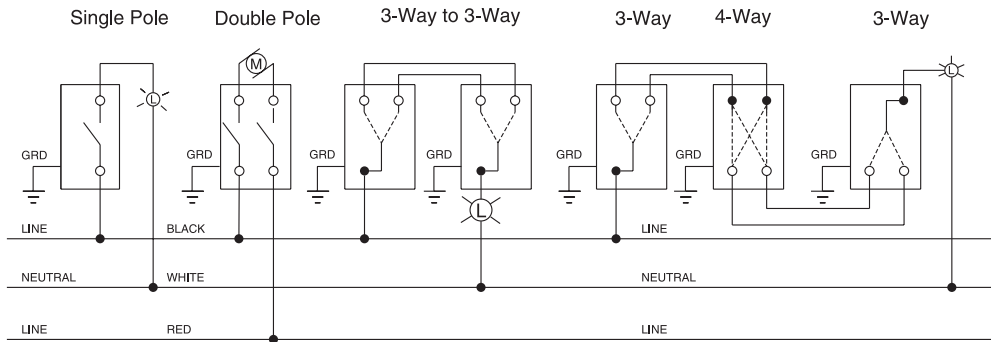
Side located grounding screw backed out and ready to wire

One-piece, triple-wipe brass line contacts superior design for minimum heat rise, maximum plug retention

Slotted, Phillips, and Robertson Tri-combo screw heads offer greater installation flexibility

62010-O

Wiring Diagram: Single Pole, Double Pole, 3-Way, 4-Way



AVAILABLE COLORS

I	W	G	R	A	LA	O	BR	BK
Ivory	White	Gray	Red	Almond	Light Almond	Orange	Brown	Black

CALL FOR COLOR AVAILABILITY



Residential Grade

Features:

- Made of GE LEXAN 241
- Push in #14 AWG Cu solid wire for 15A branch circuit only
- Shallow design for maximum wiring room
- Easy-access green hex head ground screw
- Captive mounting screws
- Washer-type break-off plaster ear for best flush alignment
- Large head combination screws for fast wiring
- Terminal screws backed out ready for wiring
- Combination Slot/Phillips head mounting and terminal screws ease installation
- Various kinds of colors available

- Two year warranty

Material Characteristics:

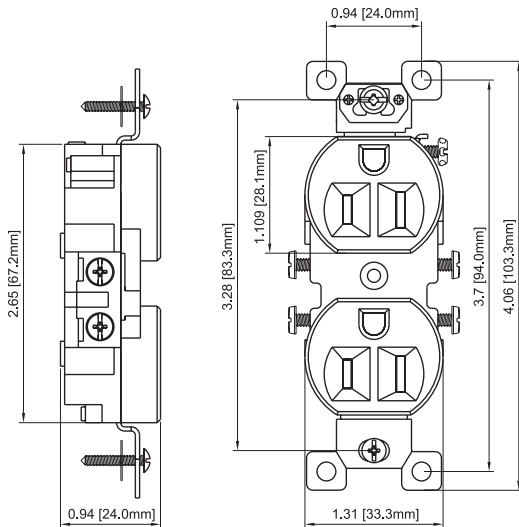
- Environmental: Flammability UL94, V2 Rating
- Operating Temperatures: From -40°C (without impact) to 75°C maximum continuous

Testing & code compliance

- UL Listed
- ISO9001 Registered manufacturing facility

Push-In and Side Wired, Straight Blade Devices, 2 Pole, 3 Wire Grounding, 15A 125V

DESCRIPTION	CAT.NO.	COLOR
Duplex Receptacle, Self-Grounding 15A/125V, 5-15R	61580-I	Ivory
	61580-W	White
	61580-A	Almond
	61580-LA	Light Almond





Commercial Grade

Features:

- Made of GE LEXAN 241
- Shallow design for maximum wiring room
- Easy-access green hex head ground screw
- Captive mounting screws
- Washer-type break-off plaster ear for best flush alignment
- Large head combination screws for fast wiring
- Automatic grounding system assures wallplate grounding in grounded metal enclosure
- Various kinds of colors available

- Two year warranty

Material Characteristics:

- Environmental: Flammability UL94, V2 Rating
- Operating Temperatures: From -40°C (without impact) to 75°C maximum continuous

Testing & code compliance

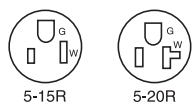
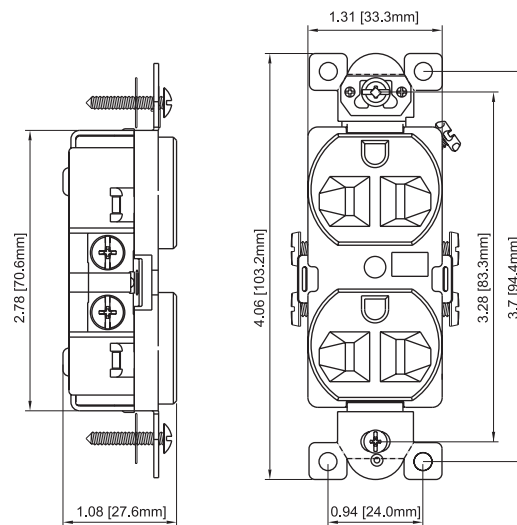
- UL Listed
- ISO9001 Registered manufacturing facility

F



Side Wired Only, Straight Blade Devices, 2 Pole, 3 Wire Grounding

DESCRIPTION	CAT.NO.	COLOR
Duplex Receptacle 15A/125V, 5-15R	61540-I	Ivory
	61540-W	White
	61540-BR	Brown
	61540-BK	Black
Duplex Receptacle 20A/125V, 5-20R	62040-I	Ivory
	62040-W	White
	62040-A	Almond
	62040-BR	Brown
	62040-BK	Black





Commercial Grade

Features:

- Made of GE LEXAN 241
- Impact-resistant themoplastic cover and body
- Shallow design for maximum wiring room
- Green grounding screw
- Captive mounting screws for fast installation where applicable
- Two year warranty

Material Characteristics:

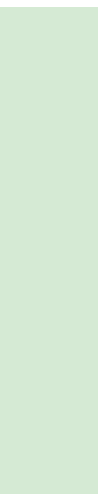
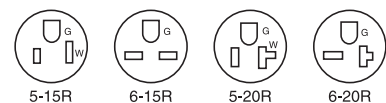
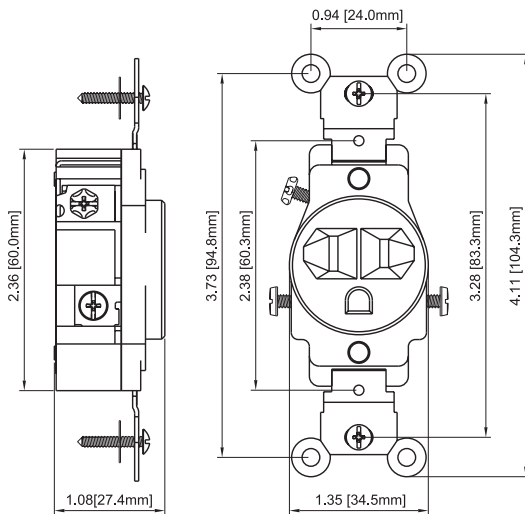
- Environmental: Flammability UL94, V2 Rating
- Operating Temperatures: From -40°C (without impact) to 75°C maximum continuous

Testing & code compliance

- UL Listed
- ISO9001 Registered manufacturing facility

Side Wired Only, 2 Pole, 3 Wire Grounding

DESCRIPTION	CAT.NO.	COLOR
Single Receptacle 15A/125V, 5-15R	61150-I	Ivory
	61150-W	White
	61150-A	Almond
	61150-BR	Brown
Single Receptacle 15A/250V, 6-15R	61160-I	Ivory
	61160-W	White
Single Receptacle 20A/125V, 5-20R	61200-I	Ivory
	61200-W	White
	61200-A	Almond
	61200-BR	Brown
Single Receptacle 20A/250V, 6-20R	61210-I	Ivory
	61210-W	White





Industrial Grade

Features:

- Self-Grounding clip
- Impact-resistant thermoplastic cover and body
- Back and side-wire ground termination-brass strap version
- Back and side-wiring options
- Break-off tabs for easy two-circuit conversion
- Four corner latches securely fasten face
- Two side barriers cover the wire terminals for insulation and isolation function, hospital grade only
- Accept up to #10 - #14 wire

- Two year warranty

Material Characteristics:

- Environmental: Flammability UL94, V2 Rating
- Operating Temperatures: From -40°C (without impact) to 75°C maximum continuous

Testing & code compliance

- UL Listed
- ISO9001 Registered manufacturing facility

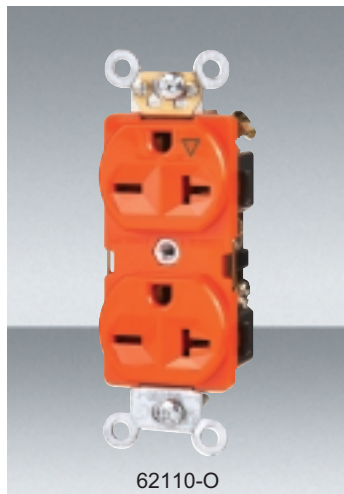
F



Hospital Grade

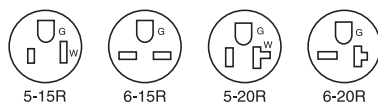
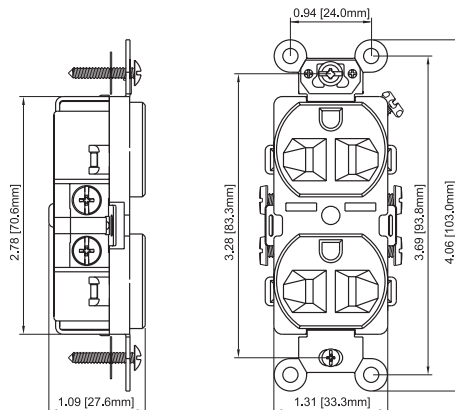
Back and Side Wired, Straight Blade Devices, 2 Pole, 3 Wire Grounding

DESCRIPTION	CAT.NO.	COLOR
Duplex Receptacle 15A/125V, 5-15R	68150-I	Ivory
	68150-W	White
	68150-R	Red
	68150-O	Orange
Duplex Receptacle 15A/250V, 6-15R	68151-I	Ivory
	68151-W	White
	68151-R	Red
	68151-O	Orange
Duplex Receptacle 20A/125V, 5-20R	62020-I	Ivory
	62020-W	White
	62020-R	Red
	62020-O	Orange
Duplex Receptacle 20A/250V, 6-20R	62021-I	Ivory
	62021-W	White
	62021-R	Red
	62021-O	Red



Isolated Ground Receptacles, Back and Side Wired

DESCRIPTION	CAT.NO.	COLOR
Duplex Receptacle 15A/125V, 5-15R	61510-O	Orange
Duplex Receptacle 15A/250V, 6-15R	61610-O	Orange
Duplex Receptacle 20A/125V, 5-20R	62010-I	Ivory
	62010-W	White
	62010-O	Orange
Duplex Receptacle 20A/250V, 6-20R	62110-O	Orange





Industrial Grade

Features:

- Impact-resistant thermoplastic cover and body
- Smooth face does not collect dirt
- Back and side-wiring options
- Break-off tabs for easy two-circuit conversion
- Two year warranty

Material Characteristics:

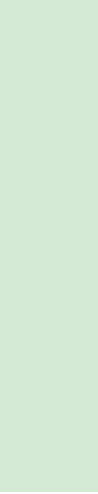
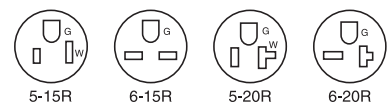
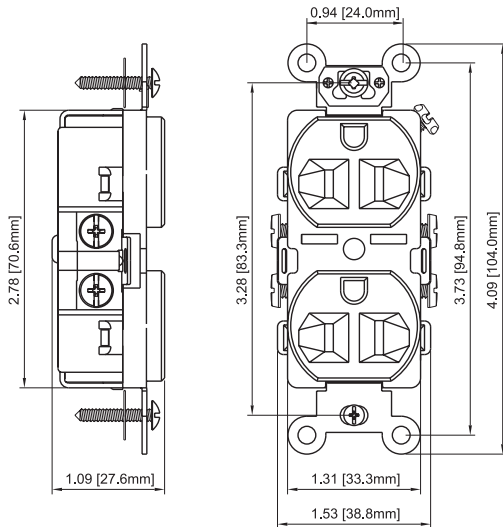
- Environmental: Flammability UL94, V2 Rating
- Operating Temperatures: From -40°C (without impact) to 75°C maximum continuous

Testing & code compliance

- UL Listed
- ISO9001 Registered manufacturing facility

Back and Side Wired, 2 Pole, 3 Wire Grounding

DESCRIPTION	CAT.NO.	COLOR
Duplex Receptacle 15A/125V, 5-15R	61570-I	Ivory
	61570-W	White
	61570-BR	Brown
Duplex Receptacle 15A/250V, 6-15R	61571-I	Ivory
	61571-W	White
	61571-BR	Brown
Duplex Receptacle 20A/125V, 5-20R	62080-I	Ivory
	62080-W	White
	62080-BR	Brown
Duplex Receptacle 20A/250V, 6-20R	62081-I	Ivory
	62081-W	White





Industrial Grade

Features:

- Made of GE LEXAN 241
- Captive mounting screws
- All mounting hardware included
- Heavy gauge steel mounting strap zinc-plated for corrosion resistance
- Receptacle for use with copper wire
- Flush receptacles fit one or two gang enclosures
- Easy-to-wire terminals accept to No.4-No.10 AWG conductors
- Large head combination screws for fast wiring
- Universal plugs include blades for 50A configurations

- Various kinds of colors available
- Two year warranty

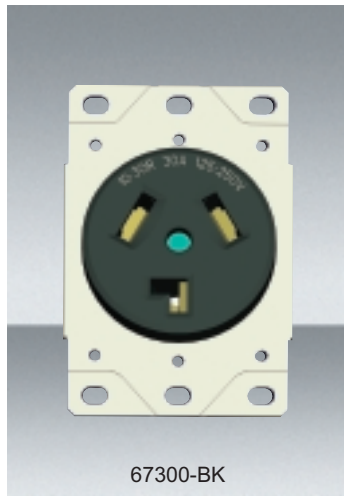
Material Characteristics:

- Environmental: Flammability UL94, V2 Rating

Testing & code compliance

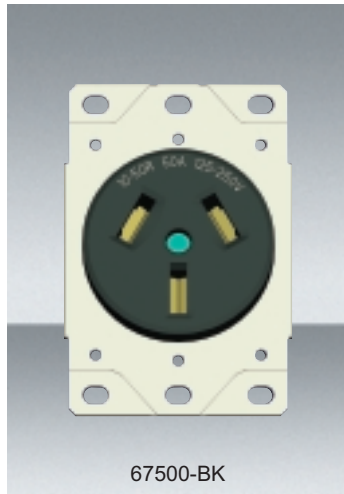
- UL Listed
- ISO9001 Registered manufacturing facility

F



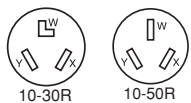
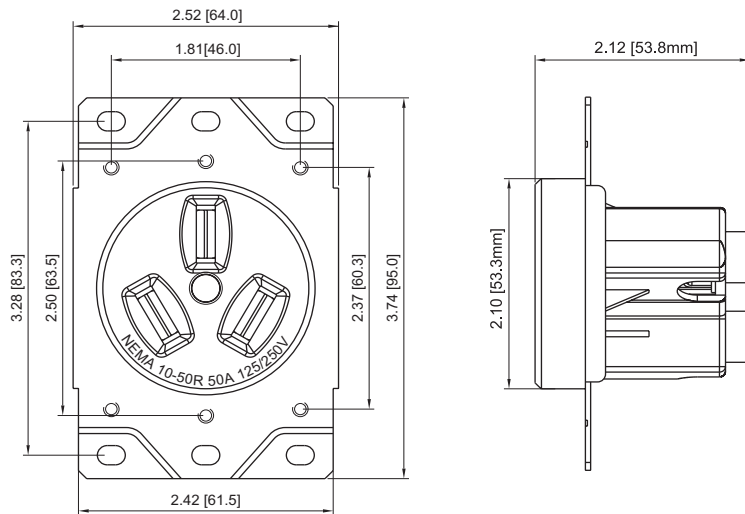
Power Devices, 30AMP 125/250V 3-Pole 3-Wire, NEMA 10-30R

DESCRIPTION	CATALOG NO.	COLOR
Flush Mount Receptacle	67300-BK	Black



Power Devices, 50AMP 125/250V 3-Pole 3-Wire, NEMA 10-50R

DESCRIPTION	CATALOG NO.	COLOR
Flush Mount Receptacle	67500-BK	Black





Industrial Grade

Features:

- Made of GE LEXAN 241
- Heavy gauge steel mounting strap zinc-plated for corrosion resistance
- Receptacle for use with copper wire
- Flush receptacles fit one or two gang enclosures
- Easy-to-wire terminals accept to No.4-No.10 AWG conductors
- Large head combination screws for fast wiring
- Captive mounting screws

- Universal plugs include blades for 50A configurations
- Two year warranty

Material Characteristics:

- Environmental: Flammability UL94, V2 Rating

Testing & Code Compliance

- UL Listed
- ISO9001 Registered manufacturing facility

Power Devices, 30AMP 125/250V 3-Pole 4-Wire Grounding, NEMA 14-30R

DESCRIPTION	CAT.NO.	COLOR
Flush Mount Receptacle	66300-W	White
	66300-BK	Black

Power Devices, 50AMP 125/250V 3-Pole 4-Wire Grounding, NEMA 14-50R

DESCRIPTION	CAT.NO.	COLOR
Flush Mount Receptacle	66500-W	White
	66500-BK	Black

