



# SWITCHES

ENERLITES INC. provides a comprehensive line of 15 Amp and 20 Amp switches and combination devices.

A full selection of ratings is available in Residential Grade, Commercial Grade and Industrial Grade. ENERLITES builds quality into every switch we manufacture. Every one of our switches is thoroughly tested to ensure its electrical and mechanical performance. Whether the need is residential, commercial or industrial, ENERLITES can provide a switch to satisfy your most demanding expectations.

# H

## SWITCHES

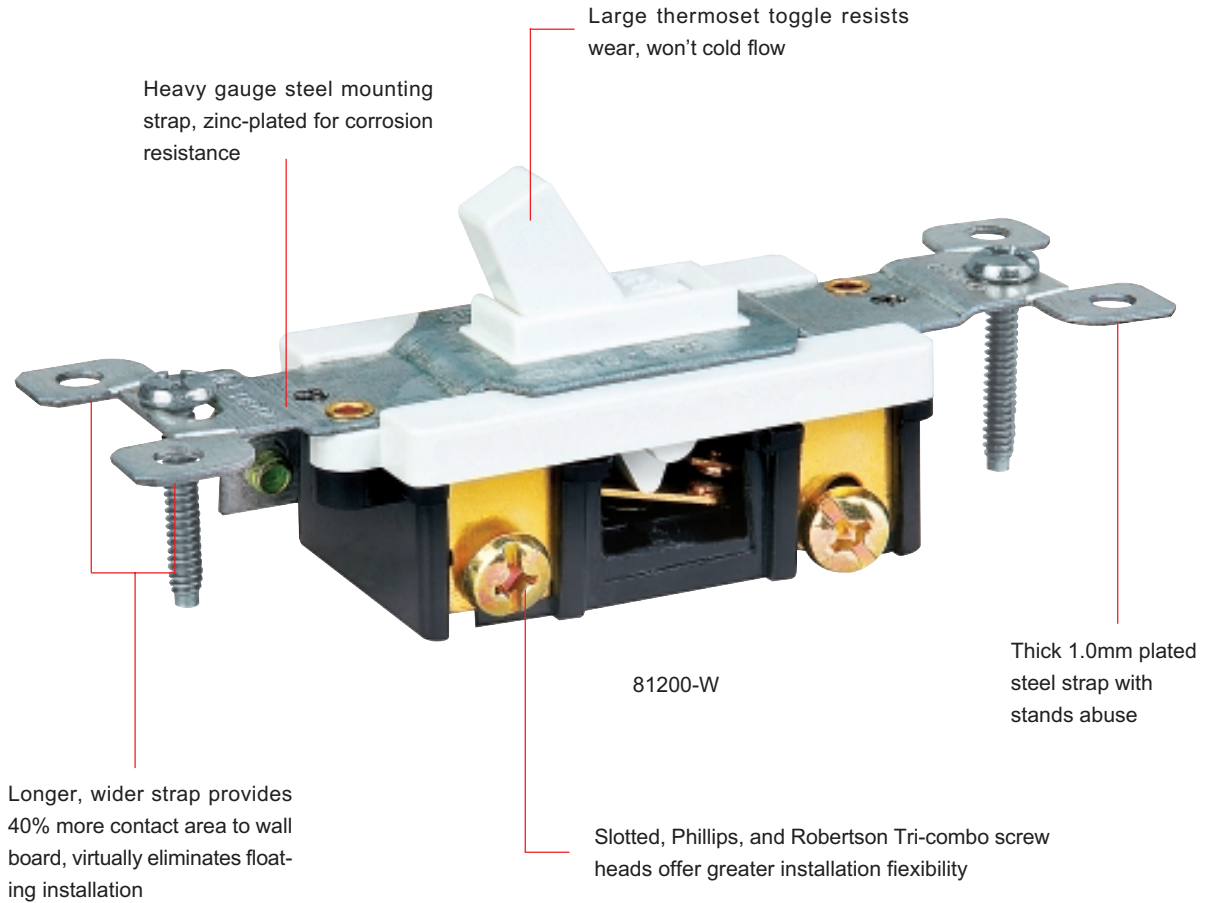
Toggle Switches .....	H3-H4
Combination Devices .....	H5
Decorator Combination Devices .....	H6



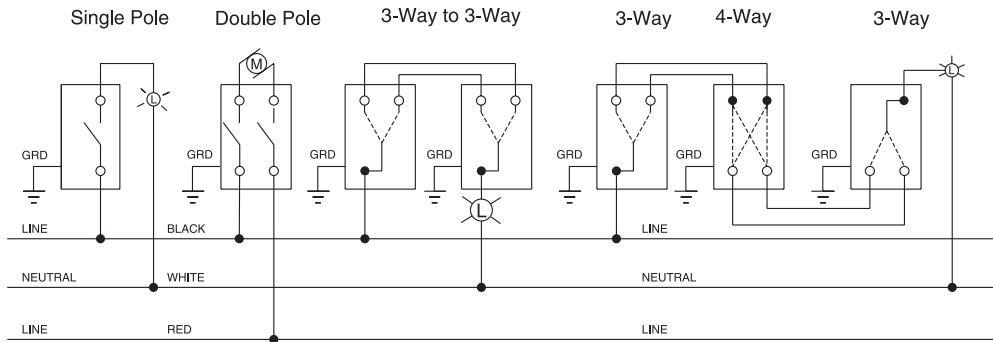
H-1



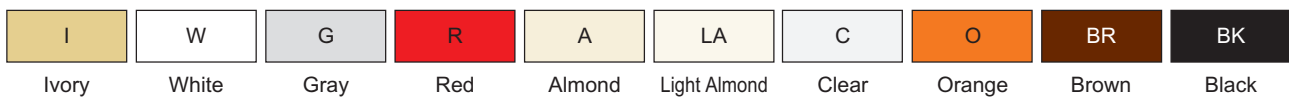
# Switches



## Wiring Diagram: Single Pole, Double Pole, 3-Way, 4-Way



## AVAILABLE COLORS



CALL FOR COLOR AVAILABILITY



## Toggle Switches

### Features:

- Made of GE LEXAN 241
- Faster installation with combination of side wiring and push-in wiring
- Push-in terminals accept #14 solid wire only
- Easy-access green hex head ground screw
- Captive mounting screws
- Steel mounting strap, made of galvanized steel sheet for corrosion resistance
- Washer-type break-off plaster ear for best flush alignment
- Large head combination screws for fast wiring
- Various kinds of colors available

- Two year warranty

### Material Characteristics:

- Environmental: Flammability UL94, V2 Rating
- Operating Temperatures: From -40 °C (without impact) to 75 °C maximum continuous

### Testing & code compliance

- UL Listed
- ISO9001 Registered manufacturing facility



88115-W

### 15AMP Push-In and Side Wired 120-277V AC

DESCRIPTION	CATALOG NO.	COLOR
Single-Pole	88115-I	Ivory
	88115-W	White
	88115-A	Almond
	88115-LA	Light Almond
Three-Way	83150-I	Ivory
	83150-W	White
	83150-A	Almond
	83150-LA	Light Almond

### 15AMP Side Wired Only 120-277V AC

DESCRIPTION	CATALOG NO.	COLOR
Four-Way	84150-I	Ivory
	84150-W	White
	84150-A	Almond
	84150-BR	Brown



83150L-C

### 15AMP Push-In and Side Wired Lighted 120-277V AC

DESCRIPTION	CATALOG NO.	COLOR
Single-Pole	88115L-W	White
	88115L-C	Clear
Three-Way	83150L-W	White
	83150L-C	Clear





## Toggle Switches

### Features:

- 120/277V rating ideal for fluorescent lighting fixtures typical in commercial applications
- Side wire terminals accept #12 or #14 AWG Cu solid or stranded wire
- Large head double-drive combination screws (Standard, Phillips) for fast wiring
- Convenient break-off plaster ear for best flush alignment
- Two year warranty

### Material Characteristics:

- Environmental: Flammability UL94, V2 Rating
- Operating Temperatures: From -40°C (without impact) to 75°C maximum continuous

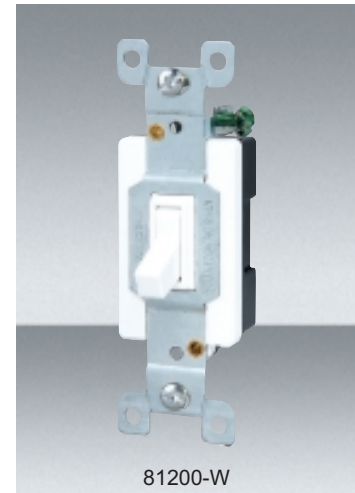
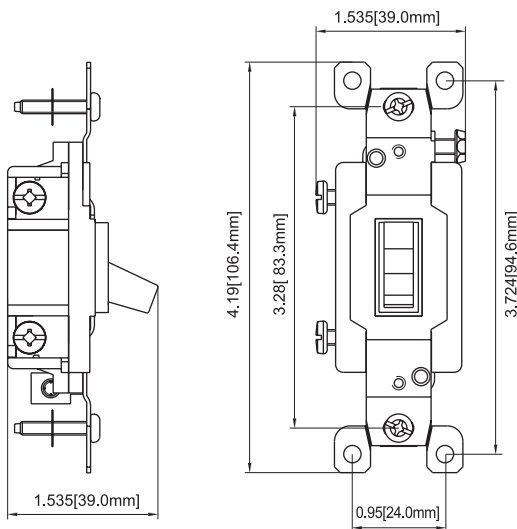
### Testing & code compliance

- UL Listed
- ISO9001 Registered manufacturing facility

### 20AMP Back and Side Wired 120-277V AC

DESCRIPTION	CATALOG NO.	COLOR
Single-Pole	81200-I	Ivory
	81200-W	White
	81200-A	Almond
	81200-BR	Brown
Three-Way	83200-I	Ivory
	83200-W	White
	83200-A	Almond
	83200-BR	Brown

**NEW**





## Combination Devices

### Features:

- Terminal screws backed out ready for wiring
- Side wire terminals accept #12 or #14 AWG Cu solid or stranded wire
- All devices fit standard wallboxes and are suitable for ganging
- Two year warranty

### Material Characteristics:

- Environmental: Flammability UL94, V2 Rating
- Operating Temperatures: From -40°C (without impact) to 75°C maximum continuous

### Testing & code compliance

- UL Listed
- ISO9001 Registered manufacturing facility



### Combination Devices

#### 15AMP Side Wired Only 120V AC

DESCRIPTION	CATALOG NO.	COLOR
Two Single-Pole Switches	82150-I	Ivory
	82150-W	White
	82150-BR	Brown

#### 15AMP Side Wired Only Pilot Light 120V AC

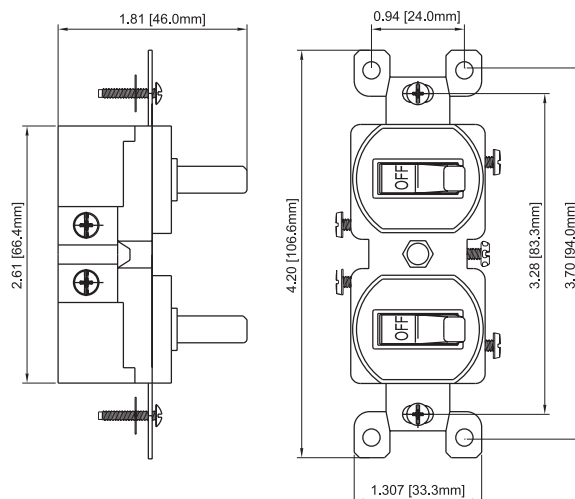
DESCRIPTION	CATALOG NO.	COLOR
Single-Pole Switch/Pilot Light	82150L-I	Ivory
	82150L-W	White

Contains exclusive circuit-pilot light on when load is off.



#### 15AMP 120V AC Switch 15 AMP 125V Receptacle

DESCRIPTION	CATALOG NO.	COLOR
Single-Pole Switch/Receptacle	62150-I	Ivory
	62150-W	White
	62150-A	Almond
	62150-BR	Brown





## Decorator Combination Devices

### Features:

- Available with AC quiet switch
- Receptacles have triple wipe line contacts and double wipe ground contacts to insure long-term plug retention
- Terminal screws backed out ready for wiring
- Elegant decoration combination switches provide multiple controls in a single-gang wall box
- All devices have grounding terminals
- Fit standard wall boxes
- Two year warranty

### Material Characteristics:

- Environmental: Flammability UL94, V2 Rating
- Operating Temperatures: From -40°C (without impact) to 75°C maximum continuous

### Testing & code compliance

- UL Listed
- ISO9001 Registered manufacturing facility

### Decorator Combination Devices

#### 15AMP 120V Switch 15 AMP 125V Receptacle

DESCRIPTION	CATALOG NO.	COLOR
Single-Pole Switch/Receptacle	68625-I	Ivory
	68625-W	White
	68625-A	Almond
	68625-LA	Light Almond

#### 15AMP Side Wired Only 120-277V AC

DESCRIPTION	CATALOG NO.	COLOR
Two Single-Pole Switches	62834-I	Ivory
	62834-W	White
	62834-A	Almond
	62834-LA	Light Almond
	62834-BK	Black

#### 15AMP Push-In Only 120-277V AC

DESCRIPTION	CATALOG NO.	COLOR
Triple Rocker Switches	62755-I	Ivory
	62755-W	White
	62755-A	Almond
	62755-LA	Light Almond
	62755-BK	Black

