



WEATHERPROOF COVERS

ENERLITES Weatherproof Enclosures can be used outdoors and in other wet locations. NEMA Type 3R Rated and meets National Electrical Code requirements covered by Article 41057 (b) and designed to meet NEC-210-60 (b).

K

WEATHERPROOF COVERS

In-use Weatherproof Covers K3



K-1



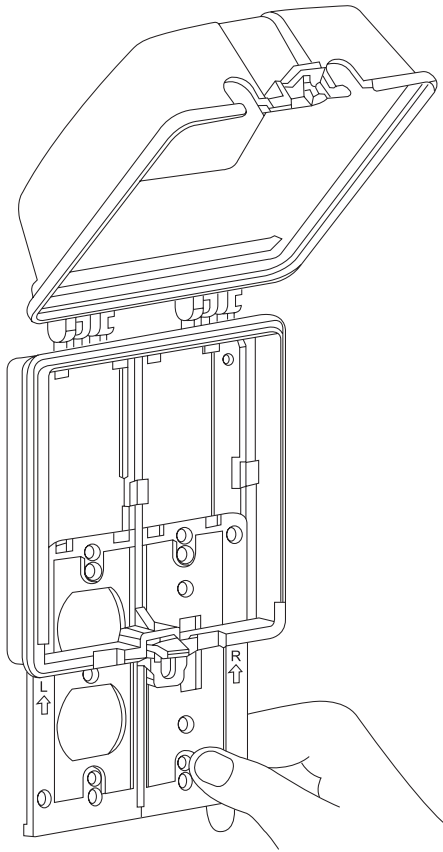
In-use Weatherproof Covers

Meets 2002 NEC 406.8 (B) Code

15 and 20 Amps, 125 and 250V receptacles installed outdoors in wet locations shall have an enclosure that is weatherproof whether or not the attachment plug cap is inserted.

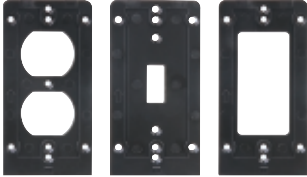
Features:

- Slide in back plate (s)
- Weatherproof
- Quick Fit Installs in Seconds
- Maximum Versatility
- Interchangeable plates
- Impact Resistant
- UV Stabilized
- Non-Conductive

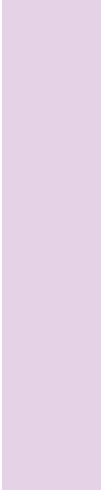


Includes These Inserts:

1 Gang



2 Gang





In-use Weatherproof Covers

Features:

- Interchangeable plates
- Quick Fit installs in seconds
- Includes gasket and mounting hardware
- Cover is removable for added convenience
- Body, cover, and plates made of polycarbonate
- UV resistant, non-corrosive, non-conductive
- Two year warranty

Testing & code compliance

- UL Listed
- ISO9001 Registered manufacturing facility

K



IUC1V

1 Gang Weatherproof Cover

INCLUDED INSERTS	CAT.NO.	MOUNTING	COLOR
Duplex, GFCI, Toggle	IUC1V	Vertical	Clear

2 Gang Weatherproof Cover

INCLUDED INSERTS	CAT.NO.	MOUNTING	COLOR
2-Duplex, 2-GFCI, 2-Toggle	IUC2V	Vertical	Clear



IUC2V

