

### Commercial Grade Single Receptacle 2-Pole, 3-Wire 15A/125V, 5-15R



Model No.: 61150

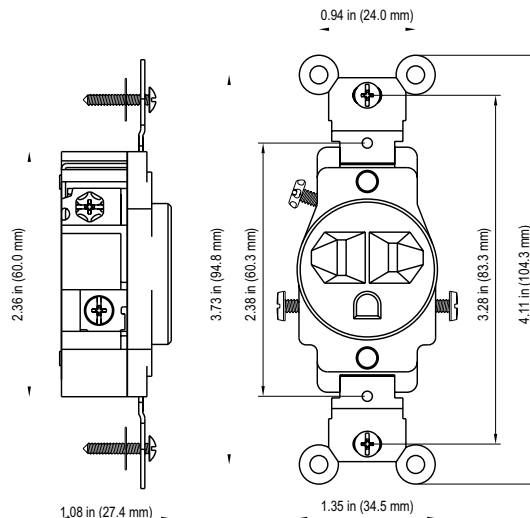
**Description:** Enerlites' Commercial Grade Receptacles are rated for variety of standard configuration. This single tamper resistant receptacle is equipped with break-off plaster ears and tabs to allow for easy alignment. All receptacles designed with thermoplastic construction and feature a shallow build for maximum wiring room.

**Features:**

- 15 amp/125-Volt
- Flammability UL94, V2 Rating.
- With ears; straight blade; side wired; steel strap
- Shallow design for maximum wiring room

**Specifications:**

Type .....	Single Outlet
Color Availability.....	Almond, Brown, White and Ivory
Grounding.....	Grounding
Amperage.....	15Amp
Voltage.....	125V
Termination.....	Side Wired
Standards and Certifications.....	UL Listed



**Testing & Code Compliance**



Enerlites, Inc.

[www.enerlites.com](http://www.enerlites.com)

Phone: 949-756-0536 Fax: 949-756-0528 e-mail: [sales@enerlites.com](mailto:sales@enerlites.com)