

### Hospital Grade Duplex Receptacle 2-Pole, 3-Wire 20A/250V, 6-20R



Model No.: 62021

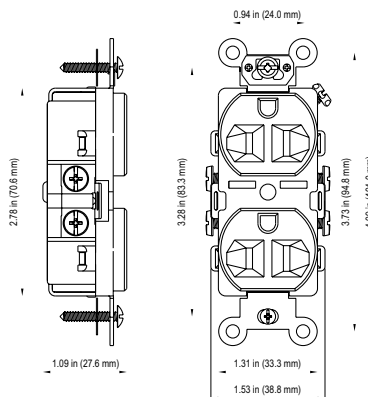
**Description:** Enerlites' Hospital Grade Receptacles are rated for variety of standard configuration. Each duplex is equipped with break-off plaster ears and tabs to allow for easy alignment and 2-circuit conversion. All duplex receptacles are designed with thermoplastic construction and feature a shallow build for maximum wiring room

**Features:**

- 20 amp/250-Volt
- Flammability UL94, V2 Rating.
- With ears; straight blade; Back and side wired; steel strap
- NEMA 6-20R, 2P and 3W
- Shallow design for maximum wiring room

**Specifications:**

Type .....	Two Pole
Color Availability.....	White, Red, and Ivory
Grounding.....	Grounding
Amperage.....	20Amp
Voltage.....	250V
Termination.....	Back and Side Wired
Actuator Material .....	Thermoplastic
Standards and Certifications.....	UL Listed



**Testing & Code Compliance**



Enerlites, Inc.

[www.enerlites.com](http://www.enerlites.com)

Phone: 949-756-0536 Fax: 949-756-0528 e-mail: [sales@enerlites.com](mailto:sales@enerlites.com)