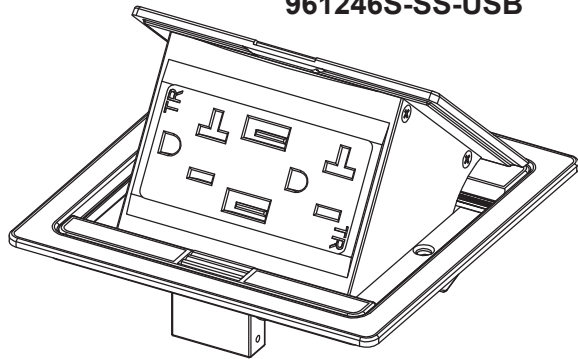




INSTALLATION INSTRUCTION

**IP44 Waterproof Square Soft Pop-up Floor
Box Assembly with 4.0A USB Charger**
Model Number: 961246S-CC-USB
961246S-SS-USB



SPECIFICATION

Cover ColorStainless Steel(SS) or Gold(CC)
 Receptacle Rating 20A 125VAC
 USB Rating Two USB ports with total 4 Amp
 Box:
 Box Material Pre-galvanized Steel
 Knockout Size 1/2" and 3/4"
 Adjustable Height Up to 1" depth

FEATURE

- Compact and stylish design with adjustable height function metal box with the choices of color cover in Stainless Steel(SS) or Gold(CC).
- Watertight assembly and corrosion resistant hardware ensure long life span and reliable performance.
- Smooth and elegant pop-up provides a soft transition and snap the cover closed when not in use.
- Used for carpet and wood floors. Also great for counter-top applications.

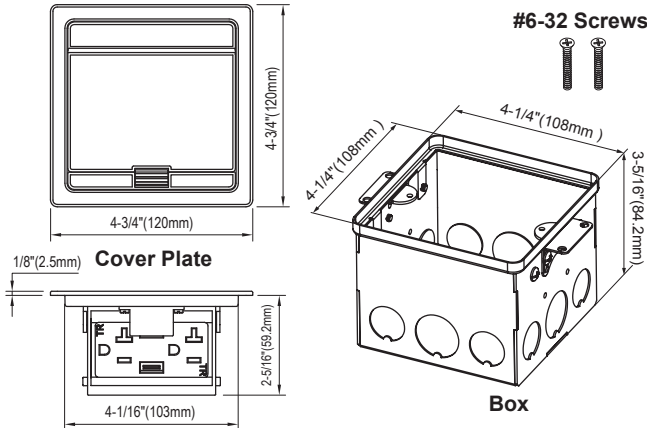
DESCRIPTION

IP44 waterproof square soft pop-up floor box assembly, with a 4.0A USB charger, FB-10 box and cover .

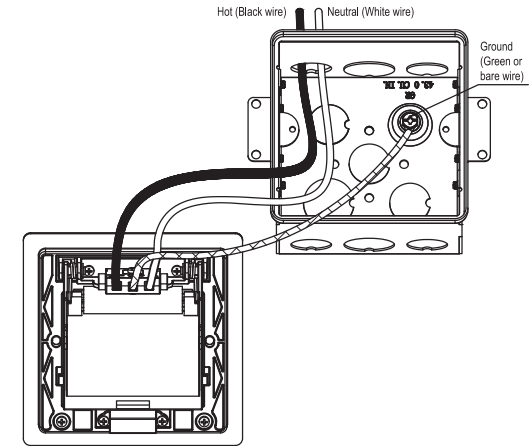
CAUTION-RISK OF ELECTRIC SHOCK

1. Turn off circuit breaker prior to installing the floor box.
2. Use Copper Wires only.
3. Do not exceed electrical rating of receptacle.
4. All wiring must be in accordance with all applicable National (NEC/CEC), state, and local codes.
5. 12-10 AWG stranded or solid copper wire is preferred.
6. Contact professional electrician for further installation questions.

SIZES AND DIMENSIONS



WIRING DIAGRAM



WARRANTY

If this product fails within 2 years from the date of purchase due to a defect in material or workmanship, we will repair or exchange it, free of charge. There are no obligations or liabilities on the part of our company for consequential damage arising out of or in connection with the use or performance of this product or other indirect damages with respect to loss of property, revenue, or product, or cost of removal installation or reinstallation.

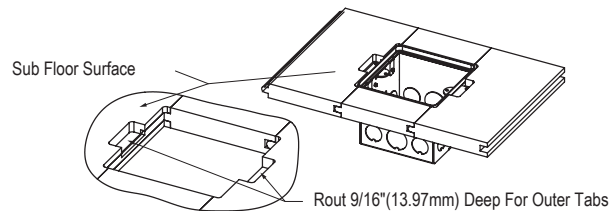
INSTALLATION OF THE KIT

Before Installation:

Ensure there is sufficient depth & space below the sub floor.

Step 1

For carpeted floors:
 Cut out the amount of carpet based on the size of the cover.
 Follow the rest of the instructions below.
 For wood sub-floors:
 Tape the template on the area you want to place the floor box.
 Use a knife to cut the outline of the box. Start with the ears and move inwards.
 Cut the box shape without the ears completely through the sub-floor.
 Cut 9/16" depth into the sub-floor for the mounting ears.
 Using a router is suggested.



Step 2

Remove knockouts and secure the box onto the floor.
 Pull the wire through the opening of the floors and knockouts and connect wires based on the wiring diagram.

CAUTION:

- Connect wires only when no power is supplied.
- Attach the box to the floor using #6 wood screws (not provided).
- Attach the cover to the box using #6-32 mounting screws and tighten firmly.

For a counter-top installation guide, please visit our website and view the attachments under this product's name.

