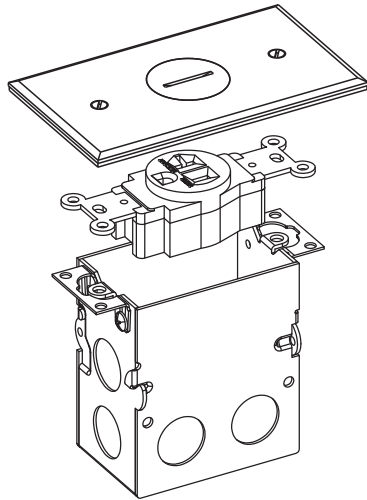




INSTALLATION INSTRUCTION

**One Gang Floor Box Assembly with
20A Single Tamper Resistant Receptacle
Model Number: 975547-C / 975547-SS**



SPECIFICATION

Cover Material.....Brass(C) or Stainless Steel(SS)
 Receptacle Rating 20A 125VAC
 Box:
 Box Material Pre-galvanized Steel
 Knockout Size 1/2"

FEATURE

- Compact and stylish design metal box with the choice of color cover in Brass(C) or Stainless Steel(SS).
- Corrosion resistant hardware ensure long life span and reliable performance.
- Easy access to power when you need it.
- Used for carpet and wood floors.

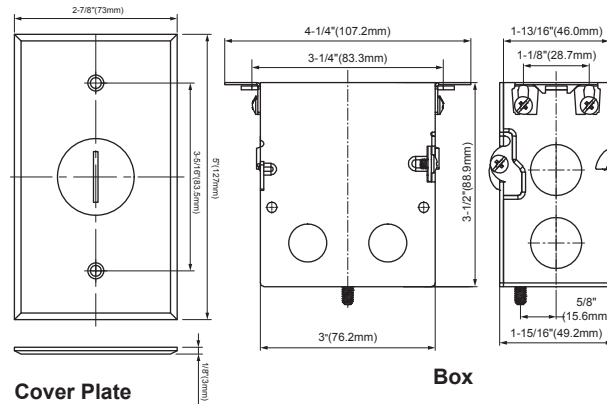
DESCRIPTION

One gang floor box assembly, including a 20 amp single tamper resistant receptacle, FB-06 box, gasket and cover.

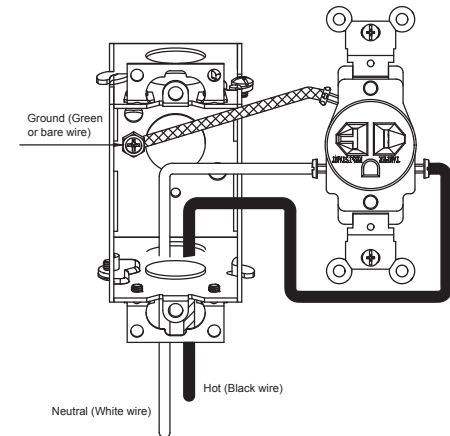
CAUTION-RISK OF ELECTRIC SHOCK

1. Turn off circuit breaker prior to installing the floor box.
2. Use Copper Wires only.
3. Do not exceed electrical rating of receptacle.
4. All wiring must be in accordance with all applicable National (NEC/CEC), state, and local codes.
5. 12-10 AWG stranded or solid copper wire is preferred.
6. Contact professional electrician for further installation questions.

SIZES AND DIMENSIONS



WIRING DIAGRAM



WARRANTY

If this product fails within 2 years from the date of purchase due to a defect in material or workmanship, we will repair or exchange it, free of charge. There are no obligations or liabilities on the part of our company for consequential damage arising out of or in connection with the use or performance of this product or other indirect damages with respect to loss of property, revenue, or product, or cost of removal installation or reinstallation.

INSTALLATION OF THE KIT

Before Installation:

Ensure there is sufficient depth & space below the sub floor.

Step 1

For carpeted floors:

Cut out the amount of carpet based on the size of the cover.

Follow the rest of the instructions below.

For wood and wood sub-floors:

Tape the template on the area you want to place the floor box.

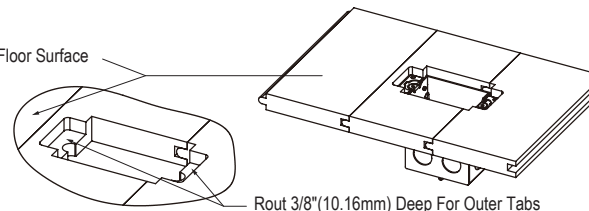
Use a knife to cut the outline of the box. Start with the ears and move inwards.

Cut the box shape without the ears completely through the sub-floor.

Cut 3/8" depth into the sub-floor for the mounting ears.

Using a router is suggested.

Finished Floor Surface



Step 2

Remove knockouts and secure the box onto the floor.

Pull the wire through the opening of the floors and knockouts and connect wires based on the wiring diagram.

CAUTION:

- Connect wires only when no power is supplied.
- Attach the box to the floor using #6 wood screws (not provided).
- Attach the cover to the box using #6-32 mounting screws and tighten firmly.

